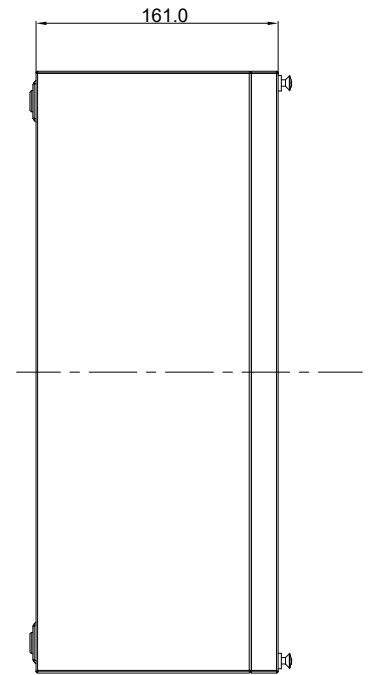
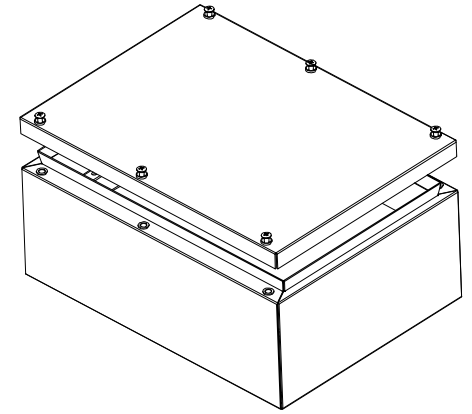
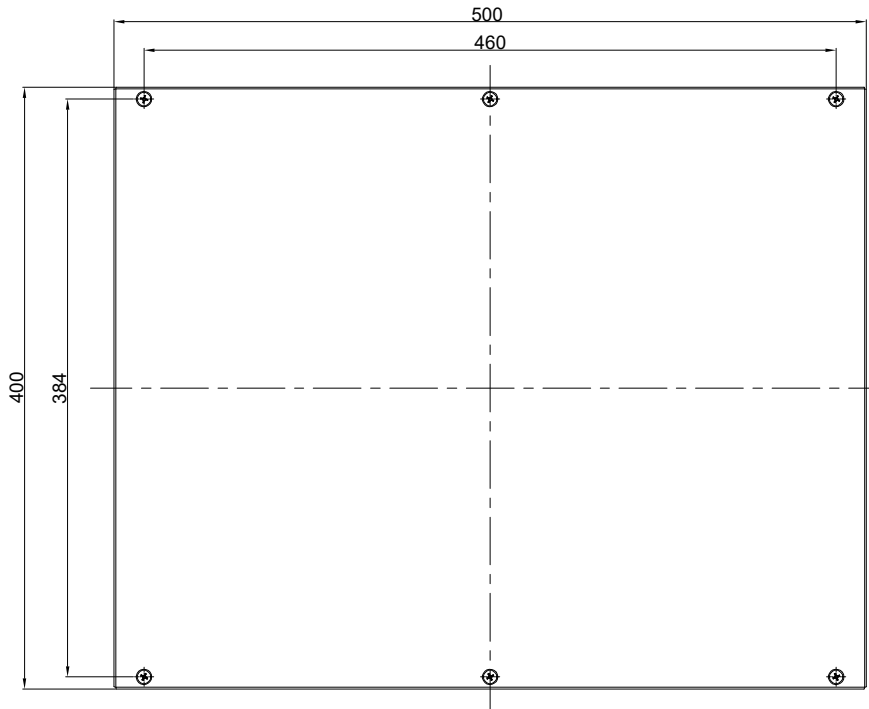
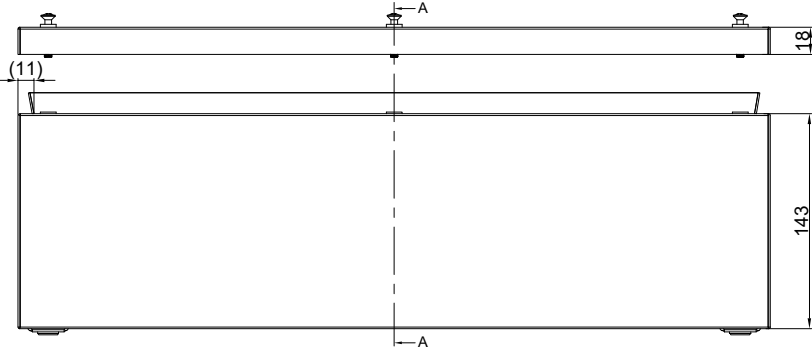


SECTION A-A



Sr.	Material	Qty.
1	Base (Assembly)	1
1.1	Base	1
1.2	Din Rail Mounting Channel	2
1.3	Blind NutSert M5 - SS A2	4
1.4	Bottom Sealing Cap	4
2	Lid (Assembly)	1
2.1	Lid	1
2.2	Gasket	1
2.3	Plastic captive Screw insert	4
2.4	Stud M6x12 A2	1
2.5	Lid Screw M5 A2 DIN 966	4

Material:- Mild Steel Finish:- Powder coated RAL7001 General Tolerances DIN ISO 2768c All Dimensions: mm	TITLE :- Steel Junction Box 500 X 400 X 161	<small>This drawing and any information or descriptive material set out on it are the confidential property of Company Name and MUST NOT BE DISCLOSED, COPIED in whole or part or used for any purpose without the written permission of Company Name.</small>	
		DRAWN BY: PK	DATE 22/4/22
CODE: OGMSJB17		CHECKED BY: GA	DATE 22/4/22
OERIGO OERIGO GLOBAL PRIVATE LTD		DRG. NO. OG-MSJB-500400161	REV 00
SHEET 1 OF 1			

Description	Rev.	Date

