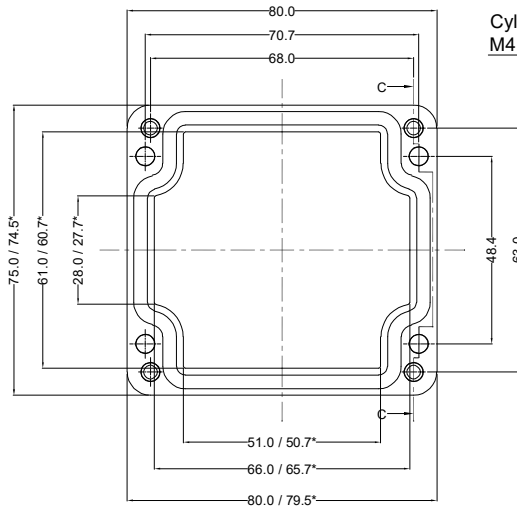
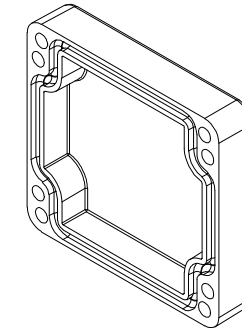
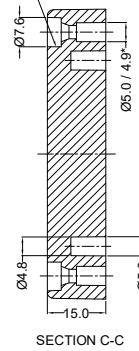


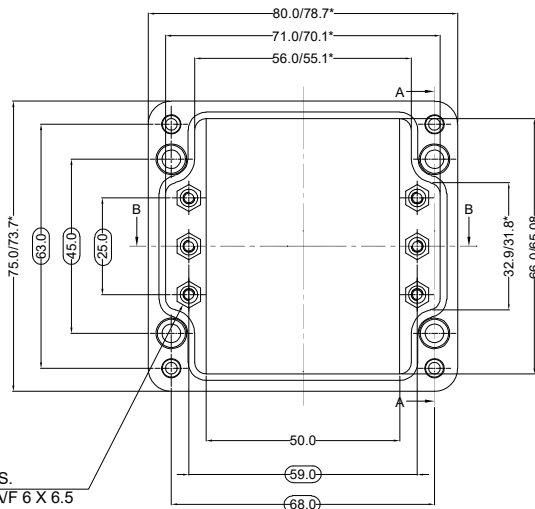
LID



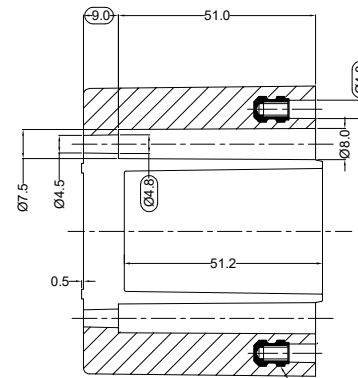
Cylinder Screw
M4 x 24/7 similar to DIN 84



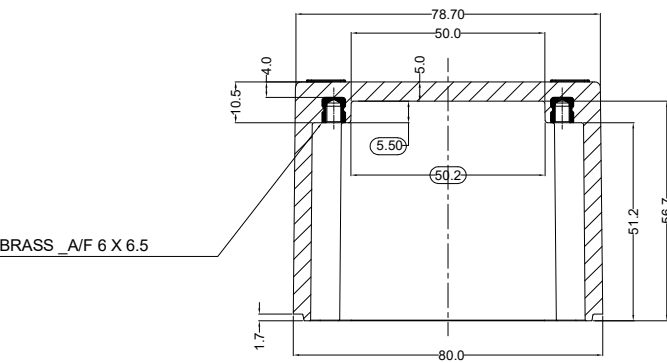
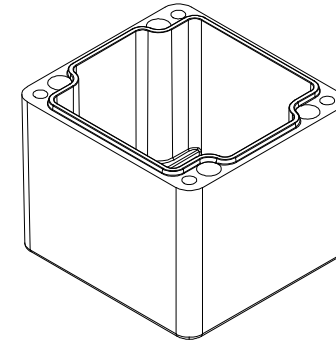
BASE



6 NOS.
M4 BRASS _A/F 6 X 6.5



M4 S.S. _A/F 6 X 9



M4 BRASS _A/F 6 X 6.5

SECTION B-B

*=Conical form tapering downwards
Free dimensions-tolerance to DIN 16901-140

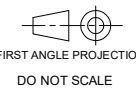
Material:- Glass fiber Reinforced Polyester (GRP)
Finish:- RAL7000 (gray) or RAL9011 (black)
General Tolerances
DIN ISO -
Linear Tol.: , Angular Tol.:
Surface Finish:
All Dimensions: mm

TITLE :-
GRP JUNCTION BOX
80 X 75 X 75

This drawing and any information or descriptive material set out on it are the confidential property of Company Name and MUST NOT BE DISCLOSED, COPIED in whole or part or used for any purpose without the written permission of Company Name.

DRAWN BY:	DATE
PK	22/4/22
CHECKED BY:	DATE
GA	22/4/22

Description	Rev.	Date



CODE: OGGJB04	
DRG. NO. OG-GJB-807575	REV 00
SHEET 1 OF 1	