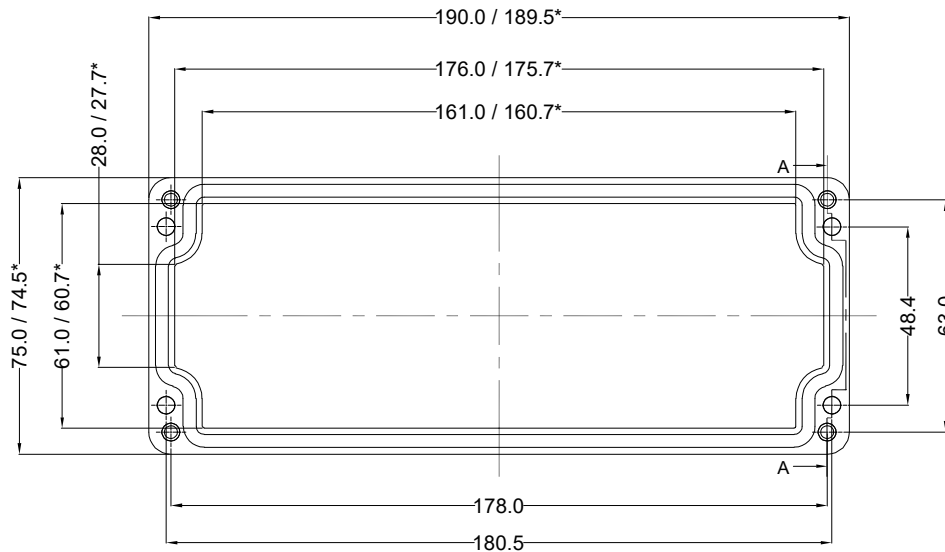
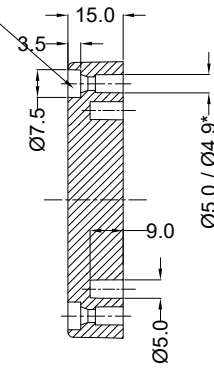


LID

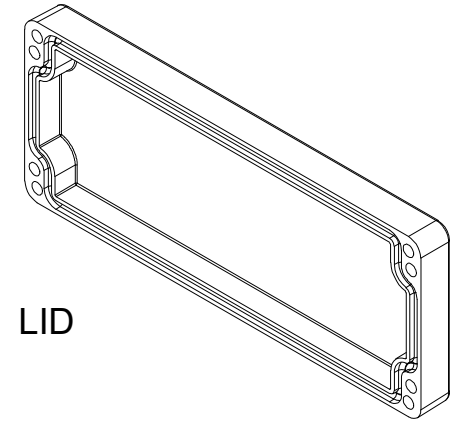


Cylinder Screw
M4 x 24/7 similar to DIN 84

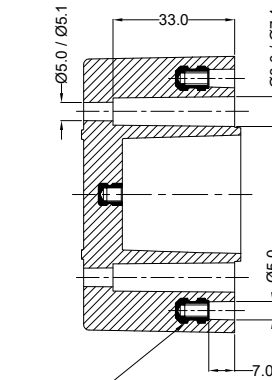
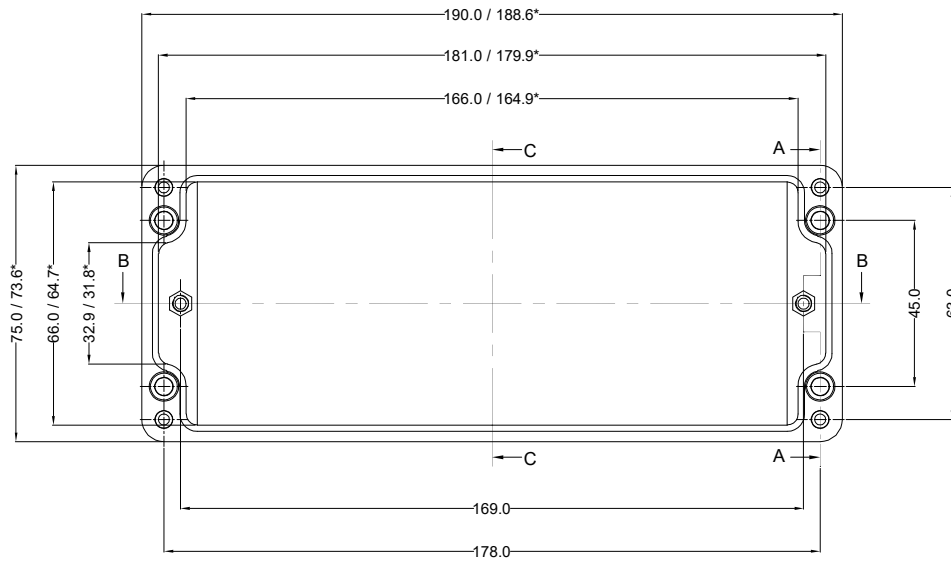


SECTION A-A

LID



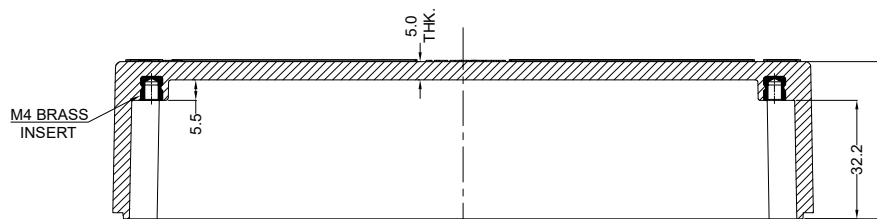
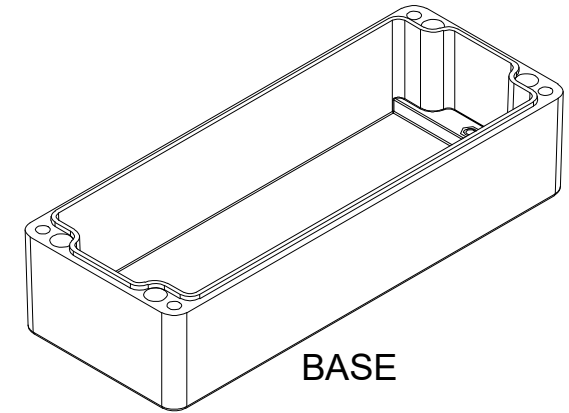
BASE



M4 S.S.
INSERT

SECTION A-A

BASE



SECTION B-B

*=Conical form tapering downwards
Free dimensions-tolerance to DIN 16901-140

| | | | |
|--|--|-------------------|--|
| Material:- Glass fiber Reinforced Polyester (GRP) Finish:- RAL7000 (gray) or RAL9011 (black) General Tolerances DIN ISO - Linear Tol.: , Angular Tol.: Surface Finish: All Dimensions: mm | TITLE :- GRP JUNCTION BOX 190 X 75 X 55 | | <small>This drawing and any information or descriptive material set out on it are the confidential property of Company Name and MUST NOT BE DISCLOSED, COPIED in whole or part or used for any purpose without the written permission of Company Name.</small> |
| | DRAWN BY: PK | DATE 22/4/22 | |
| FIRST ANGLE PROJECTION DO NOT SCALE | CODE: OGGJB09 DRG. NO. OG-GJB-1907555 | CHECKED BY: GA | REV 00 |
| SHEET 1 OF 1 | | | |

OERIGO
OERIGO GLOBAL PRIVATE LTD