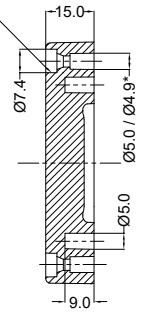
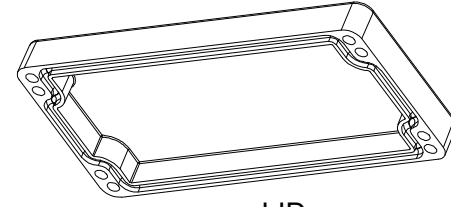


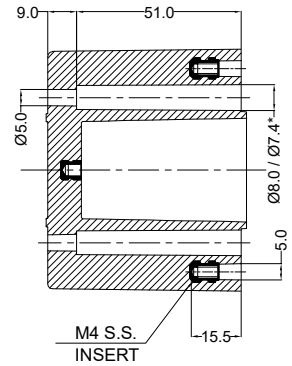
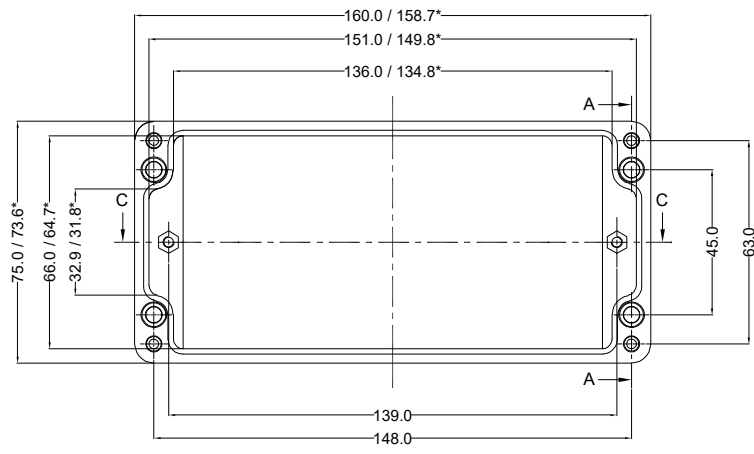
Cylinder Screw
M4 x 24/7 similar to DIN 84



SECTION B-B

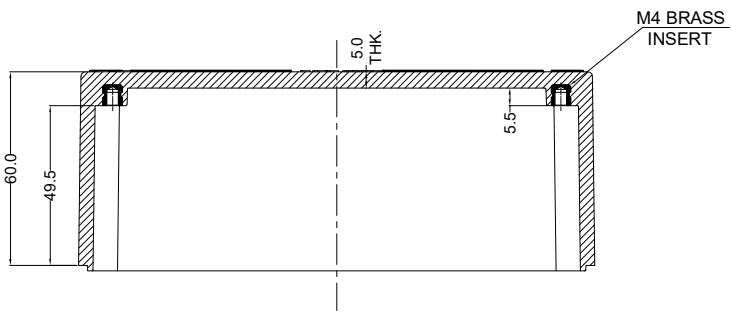
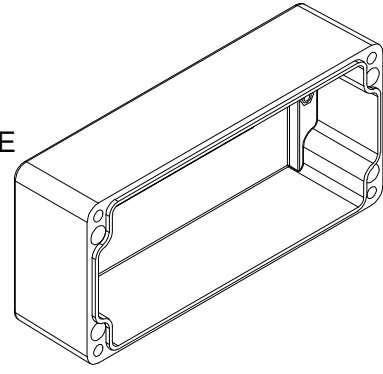


LID



SECTION A-A

BASE



SECTION C-C

*=Conical form tapering downwards
Free dimensions-tolerance to DIN 16901-140

Material:-	TITLE :- GRP JUNCTION BOX 160 X 75 X 75	This drawing and any information or descriptive material set out on it are the confidential property of Company Name and MUST NOT BE DISCLOSED, COPIED in whole or part or used for any purpose without the written permission of Company Name.
Finish:-		
General Tolerances DIN ISO - Linear Tol.: , Angular Tol.: Surface Finish:		
All Dimensions: mm		
	CODE: OGGJB06	DATE
	DRG. NO. OG-GJB-1607575	PK 22/4/22
		CHECKED BY: GA 22/4/22

Description	Rev.	Date

