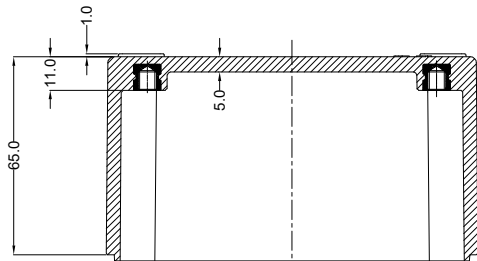
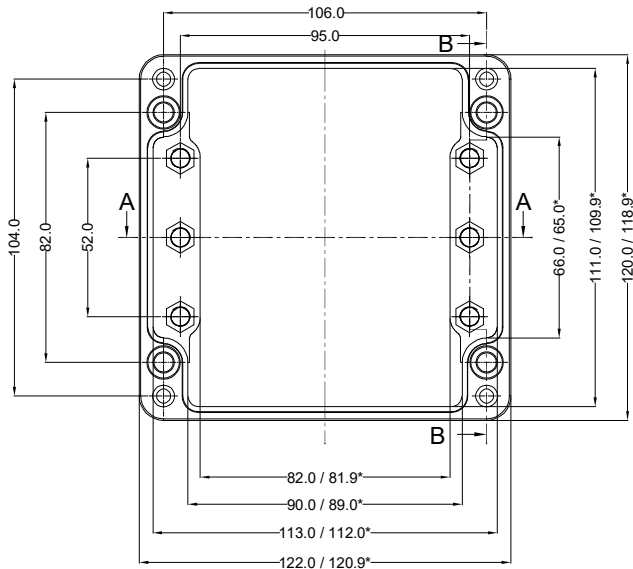
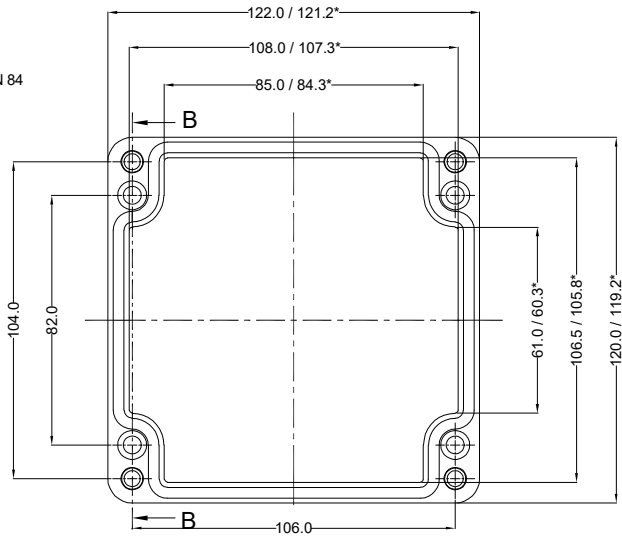
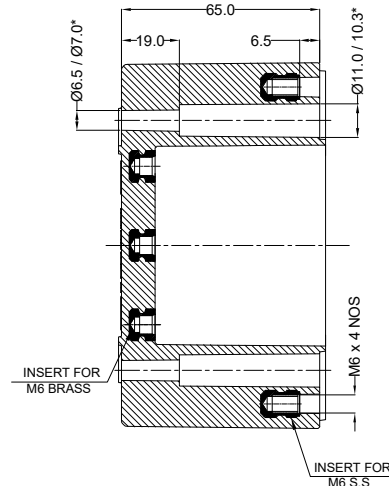


SECTION B-B

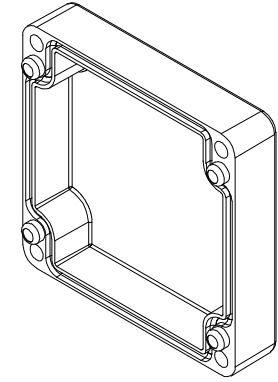


SECTION A-A

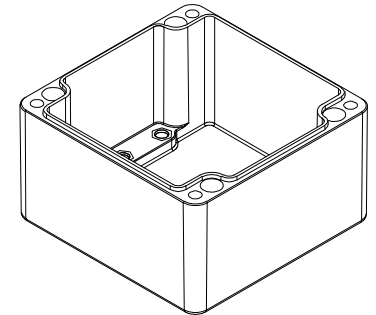


SECTION B-B

LID



BASE



\*=Conical form tapering downwards  
Free dimensions-tolerance to DIN 16901-140

Description	Rev.	Date

<b>Material:-</b> Glass fiber Reinforced Polyester (GRP) <b>Finish:-</b> RAL7000 (gray) or RAL9011 (black) General Tolerances DIN ISO - Linear Tol.: , Angular Tol.:- Surface Finish: All Dimensions: mm	<b>TITLE :-</b> GRP JUNCTION BOX 122 X 120 X 90	<small>This drawing and any information or descriptive material set out on it are the confidential property of Company Name and MUST NOT BE DISCLOSED, COPIED in whole or part or used for any purpose without the written permission of Company Name.</small>	
		DRAWN BY: PK	DATE 22/4/22
CODE: OGGJB03	DRG. NO. OG-GJB-12212090	CHECKED BY: GA	REV 00
FIRST ANGLE PROJECTION DO NOT SCALE		SHEET 1 OF 1	

